

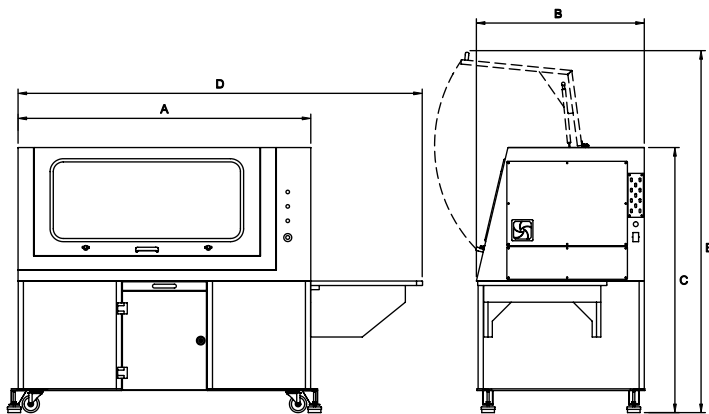
DENFORD

Router 6600/6600 PRO

LARGE FORMAT, HIGH SPEED FLOOR-STANDING ROUTER



Shown with optional computer support extension and optional integrated Dust Pro 100 (PC not included)



Machine Dimensions.

A large format, high speed Router, complete with built-in machine bench, offering large machining capacity (table size 1080 x 640mm) at an exceptional price. The Router 6600 / 6600 Pro is specifically designed for education and training and is ideal for cutting a range of resistant materials such as hard and soft wood, plastic, modelling foam, acrylic and prototyping material. Both models are available with 5 Station Automatic Tool Changer; and in addition, the Router 6600 Pro can cut non-ferrous metals.

CE
APPROVED

Ideal for use in conjunction with

IN SCHOOLS

Prices are correct at time of printing, but may be subject to revision.
Prices shown are exclusive of carriage charges & VAT

Router 6600/6600 PRO

THE ROUTER 6600/6600 PRO COME AS STANDARD WITH:

- VR CNC Milling Operating Software (PC not included).
- Universal Machine Bench.
- Aluminium T Slot Table.
- Outlet for Dust Extraction System.
- Workholding Clamps.
- Installation and Instruction Manuals.
- USB Connection.

OPTIONAL EQUIPMENT INCLUDES:

5 Station Automatic Tool Changer, Large Format Vacuum Bed, Vacuum Pads, F1 in Schools Car Manufacturing Fixture, 4th Axis Programmable Rotary Fixture, 3D Scanning Attachment, Dust Extraction Unit, Computer Support Extension.



SYSTEM REQUIREMENTS

Please refer to page 27.

RECOMMENDED SOFTWARE PROGRAMS

All software necessary to control the Router 6600/ Router 6600 Pro is included. Also included is a seat of QuickCAM 2D Design - an easy to use 2D CAD package.

- For 2D Designs - will link to packages able to export 2D dxf files such as QuickCAM 2D Design, TechSoft Design Tools - 2D Design, CorelDraw etc.

- For 3D Designs - will link to packages able to export STL files such as Pro/DESKTOP, ArtCAM, Autodesk Inventor and SolidWorks etc. when used in conjunction with QuickCAM Pro.

MECHANICAL DETAILS	ROUTER 6600	ROUTER 6600 PRO
Machine Length (A)	1700mm	
Machine Depth (B)	975mm	
Machine Height (C)	1540mm	
Length with Optional PC Arm (D)	2350mm	
Height with Door Open (E)	2100mm	
Machine Weight	430kg	
Table Size	1080 x 640mm	
Travel X Axis	1000mm	
Travel Y Axis	600mm	
Travel Z Axis	110mm	
Beam Clearance	148mm	
Max. Spindle Speed	29000 RPM	24000 RPM
Non-Ferrous Metal Cutting	No	Yes
Spindle Speed Control	No	Yes
Spindle Speed Override	No	Yes
Max. Feed Rate	5000mm/min	
Max. 3D Profiling	4500mm/min	
Mains Supply Requirements* [* Alternative supplies available on request]	Single Phase	
Spindle Motor	1.0kW	
Axes Motors	Stepper	
Volts	230 Volts	
Amps	8 Amps	
Hz	50 Hz	
Electric Connection	13A Socket	